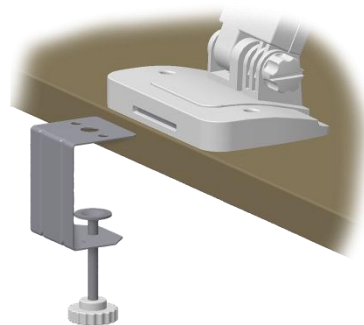


# **OX-1** (Model Code #1433)

## Entry USB Model in Flexible Installation



Optional Clamper



Optional Writing Whiteboard

- **8M CMOS Sensor**
- **x8 Digital Zoom via PC Software (ELMO Interactive Toolbox)**  
<https://elmoeurope.com/index.php/en/download-service/software>
- **One Push Auto Focus**
- **Built-in Microphone**
- **A3 Coverage**
- **Adjustable Arm and Camera Head**
- **Optional Clamper** (Model Code #1434)
- **Optional Writing Whiteboard** (Model Code #1356)

# Specification

Model Name	OX-1
Model Code	1433
<b>Camera</b>	
Image Sensor	1/3.2" CMOS
Effective Pixels	8M (3264x2448)
Frame Rate	Max. 30fps
Zoom	Digital x8 (via Software)
Lens/Max Aperture	F=2.2
Focus Range	100mm ~ ∞
Focus Control	Auto (One push)
Shooting Area	Possible to shoot A3 format
Resolution	FHD via USB
<b>User Interface</b>	
Auto Focus Key	Yes
Lighting	White LED
Foldable Mechanical Arm	Yes
Adjustable Arm/Head	Yes/Yes
Integrated Stage	(Option)
Image Rotation	Yes by PC software
Freeze	Yes by PC software
Annotation	Yes by PC software
Comparison	Yes by PC software
Mask	Yes by PC software
Recording	Yes onto PC by PC software
Optional Apps	ImageMate4 for Windows, ELMO Interactive Toolbox (EIT) for Windows and Mac Available at <a href="http://www.elmoeurope.com">www.elmoeurope.com</a>
<b>Technical Interface</b>	
USB	x1 (Type B, Version 2.0)
<b>Others</b>	
Built-in Mic	Yes
Power	DC5V (USB bus powered)
Power Consumption	1.25W
Dimension	(Set-up) W317 x D108 x H375 mm (Folded) W337mm x D108 x H 54 mm
Weight	Approx. 630 g (Main unit)
Accessories	USB 2.0 Cable, Instruction Manual
<b>Optional Accessories</b>	
Whiteboard Stage	Yes
CRA Tablet	Yes by PC software
CRB Pen System	Yes by PC software
Mounting Attachment	Yes
Warranty	5 years

ELMO Company, Limited

**RION Tech Edusoft Private Limited**

Regd Office: 24, G.S. Towers, Second Floor,  
Abhirampuram 4th Street, Alwarpet, Chennai – 600 018

info@elmoindia.in PH: 9751680470